



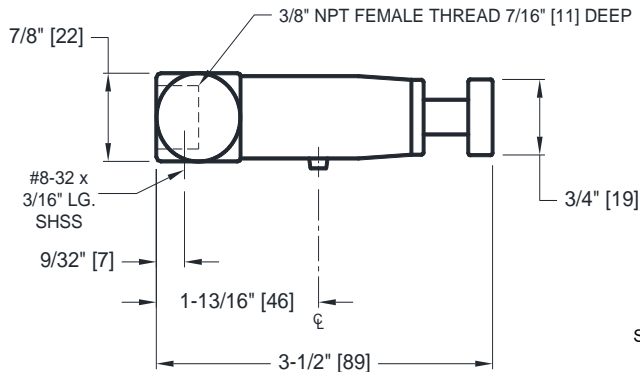
**AMERICAN SPECIALTIES, INC.**  
 441 Saw Mill River Road, Yonkers, NY 10701  
 (914) 476.9000 • (914) 476.0688  
 www.americanspecialties.com

**MODEL №:** 0353

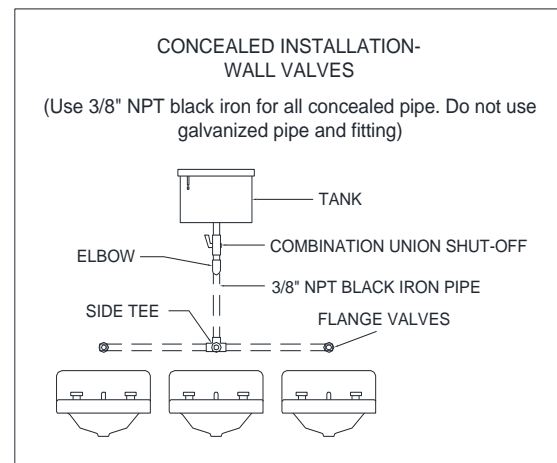
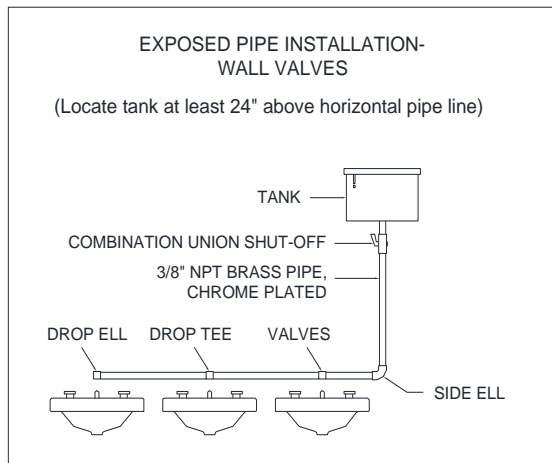
**ISSUED:** 01-87

**REVISED:** 11 APR 2019

## SOAP VALVE - LIQUID STANDARD



**NOTE:**  
 ALL DIM'S INCH [MM]  
 ILLUSTRATION FOR REF ONLY AND NTS  
 SEE SOAP DISPENSER CARE & MAINTENANCE  
 DOCUMENT ONLINE FOR CLEANING



### SPECIFICATION

Soap Valve -Liquid Standard shall dispense liquid and lotion soaps, synthetic detergents and antibacterial soaps having a pH in range  $7 \pm 1.5$  and viscosity in range 30-2000 cP (mPa•s). Soaps containing reportable salts, chlorides and alcohols should be avoided. All external parts shall be polished chrome plated brass. Internal metal parts shall be plated brass and stainless steel. Piston bushing shall be nylon, with rubber O-ring seal. Valve shall be leak proof when not in operation. Valve operation shall comply with 2010 ADA Accessibility Standards and ICC/ANSI A.117.1 by requiring no more than 5lbs<sub>f</sub> (22.2 N) of pressure to actuate and require no grasping or twisting by operator.

Soap Valve-Liquid Standard shall be Model № 0353 of American Specialties, Inc., 441 Saw Mill River Road, Yonkers, New York 10701-4913

### INSTALLATION

Unit is typically used with gravity feed systems by others and is located over the lavatory basin by connecting to plumbing (by others) of in-wall or surface mounted distribution piping. Option V model is typically installed in shower rooms. Install valve into appropriate position by screwing onto pipe. Use TFE tape to seal threads.

### OPERATION

Soap is dispensed manually by depressing valve button until tank is empty.

### OPTION

Soap is available for use in vertical orientation, unit is supplied with short side spout. Specify suffix V (e.g. 0353-V).

**NOTE: GRAVITY FEED SYSTEM TANKS 0376, 0377, 0378 AND 0379 ARE DISCONTINUED AS OF JUNE 2015.**